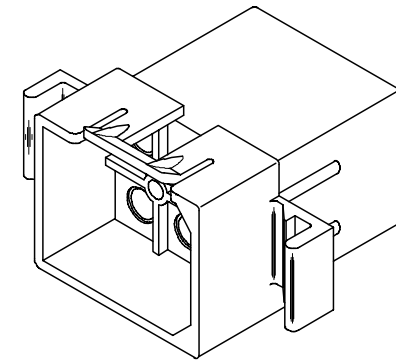
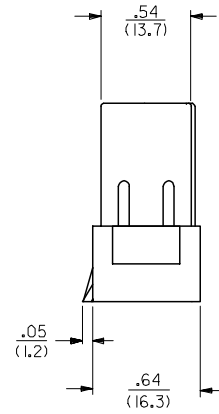
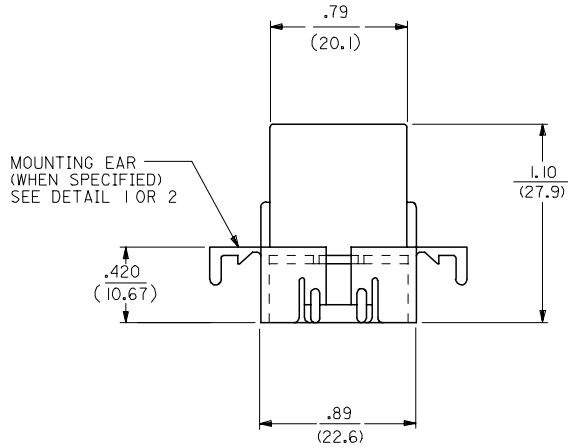
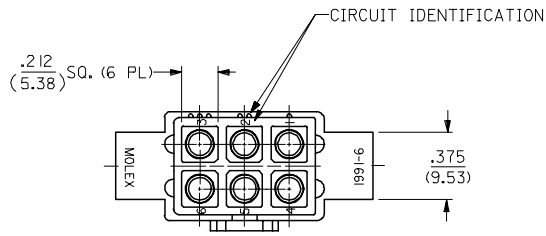
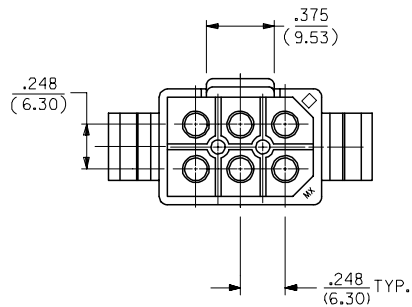


**PLUG**

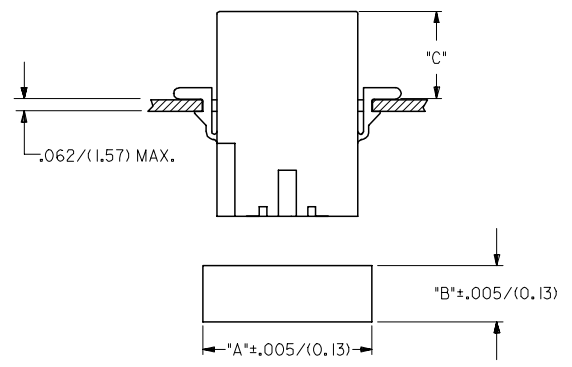


**PLUG HOUSING**



UPDATE TITLE BLOCK EC NO: UCP2007-1498 DRAWN: AELHAG 2007/04/04 CHKD: AELHAG 2007/04/04 APPR: FSM TH 2007/04/04 REV DESCRIPTION	QUALITY SYMBOLS	GENERAL TOLERANCES (UNLESS SPECIFIED)	DIMENSION STYLE	SCALE	DESIGN UNITS	THIRD ANGLE PROJECTION
	$\nabla=0$ $\nabla=0$	mm INCH 4 PLACES ± .010 ± .014 3 PLACES ± .010 ± .014 2 PLACES ± 0.25 ± .014 1 PLACE ± 0.36 ± .014 ANGULAR ± 1 °	IN/MM	2:1	INCH	□ THIRD ANGLE PROJECTION
			DRAWN BY DATE JJS 1988/02/25 CHECKED BY DATE RW 1988/02/25 APPROVED BY DATE RAS 1988/02/25	TITLE		
			MATERIAL NO. SEE CHART SIZE C	.093/(2.36) HOUSINGS PLUG AND RECEPTACLE 6 CKT, .248/(6.30) CTRS.	MOLEX INCORPORATED DOCUMENT NO. SD-1991-6*	SHEET NO. 1 OF 3
DRAFT WHERE APPLICABLE MUST REMAIN WITHIN DIMENSIONS			THIS DRAWING CONTAINS INFORMATION THAT IS PROPRIETARY TO MOLEX INCORPORATED AND SHOULD NOT BE USED WITHOUT WRITTEN PERMISSION			

PLUG			RECEPTACLE		
PART NO.	ENG. NO.	PKG. INFORMATION	PART NO.	ENG. NO.	PKG. INFORMATION
I9-09-2061	I991-6P	PK-1991-001	I9-09-1061	I991-6R	PK-1991-001
I9-09-2062	I991-6P1	PK-1991-001	I9-09-1062	I991-6R1	PK-1991-002
I9-09-7061	I991-6PBK	PK-1991-001	I9-09-6061	I991-6RBK	PK-1991-001
I9-09-7062	I991-6P1BK	PK-1991-001	I9-09-1068	I991-6R1-B	PK-1991-001



HOUSING	DIM. "A"	DIM. "B"	DIM."C" STD.EAR	DIM."C" PREBENT
PLUG	1.048/(26.62)	.658/(16.71)	.51/(12.9)	.52/(13.2)
RECEPTACLE	.946/(24.03)	.608/(15.44)	.53/(13.5)	.54/(13.7)

- NOTES:
- MATERIAL CODES:  
A - NYLON TYPE 6/6, UL 94V-2  
B - NYLON TYPE 6/6, UL 94V-0
  - FINISH: N/A
  - PRODUCT SPECIFICATION: PS-02-09
  - PACKAGING SPECIFICATION: SEE CHART
  - HOUSINGS FOR USE WITH MOLEX STD. .093/(2.36) TYPE TERMINALS.
  - PARTS CONFORM TO CLASS B REQUIREMENTS OF COSMETIC SPECIFICATION PS-45499-002.

**LEGEND:**

1991-6\*\*\*\*-\*

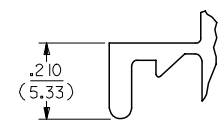
CIRCUIT SIZE

P = PLUG  
R = RECEPTACLE

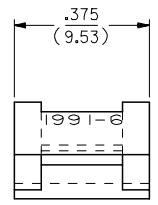
BLANK = WITH STANDARD EARS  
1 = WITHOUT EARS  
2 = WITH PREBENT EARS, PER DETAIL 2

COLOR: BLANK=NATURAL COLOR  
AM=AMBER BK=BLACK BU=BLUE  
BN=BROWN CY=GRAY GN=GREEN  
OR=ORANGE RD=RED YW=YELLOW

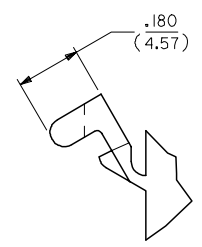
BLANK = MATERIAL CODE A  
B = MATERIAL CODE B



**DETAIL 1**  
STANDARD MOUNTING EARS  
(SCALE 4:1)



**DETAIL 2**  
PREBENT MOUNTING EAR  
(SCALE 4:1)



ADD NOTES 2,4&6 EC NO: UCP2007-1498 DRW:NAELHAG 2007/04/04 CHKD:AEHAG 2007/04/04 APPR:FSM TH 2007/04/04 REVISIONS	QUALITY SYMBOLS ▽=0 ▽=0	GENERAL TOLERANCES (UNLESS SPECIFIED)		DIMENSION STYLE IN/MM		SCALE 2:1	DESIGN UNITS INCH	THIRD ANGLE PROJECTION
		4 PLACES ± --- ± --- 3 PLACES ± --- ± .010 2 PLACES ± 0.25 ± .014 1 PLACE ± 0.36 ± --- ANGULAR ± 1 °	DRAWN BY JJS DATE 1988/03/01 CHECKED BY RW DATE 1988/03/01 APPROVED BY RAS DATE 1988/03/01	TITLE .093/(2.36) HOUSINGS, PLUG AND RECEPTACLE, 6 CKT, .248/(6.30) CTRS.			MATERIAL NO. SD-1991-6*	DOCUMENT NO.
DRAFT WHERE APPLICABLE MUST REMAIN WITHIN DIMENSIONS		SEE CHART		THIS DRAWING CONTAINS INFORMATION THAT IS PROPRIETARY TO MOLEX INCORPORATED AND SHOULD NOT BE USED WITHOUT WRITTEN PERMISSION				